



Datenblatt - Fiche technique - Data sheet

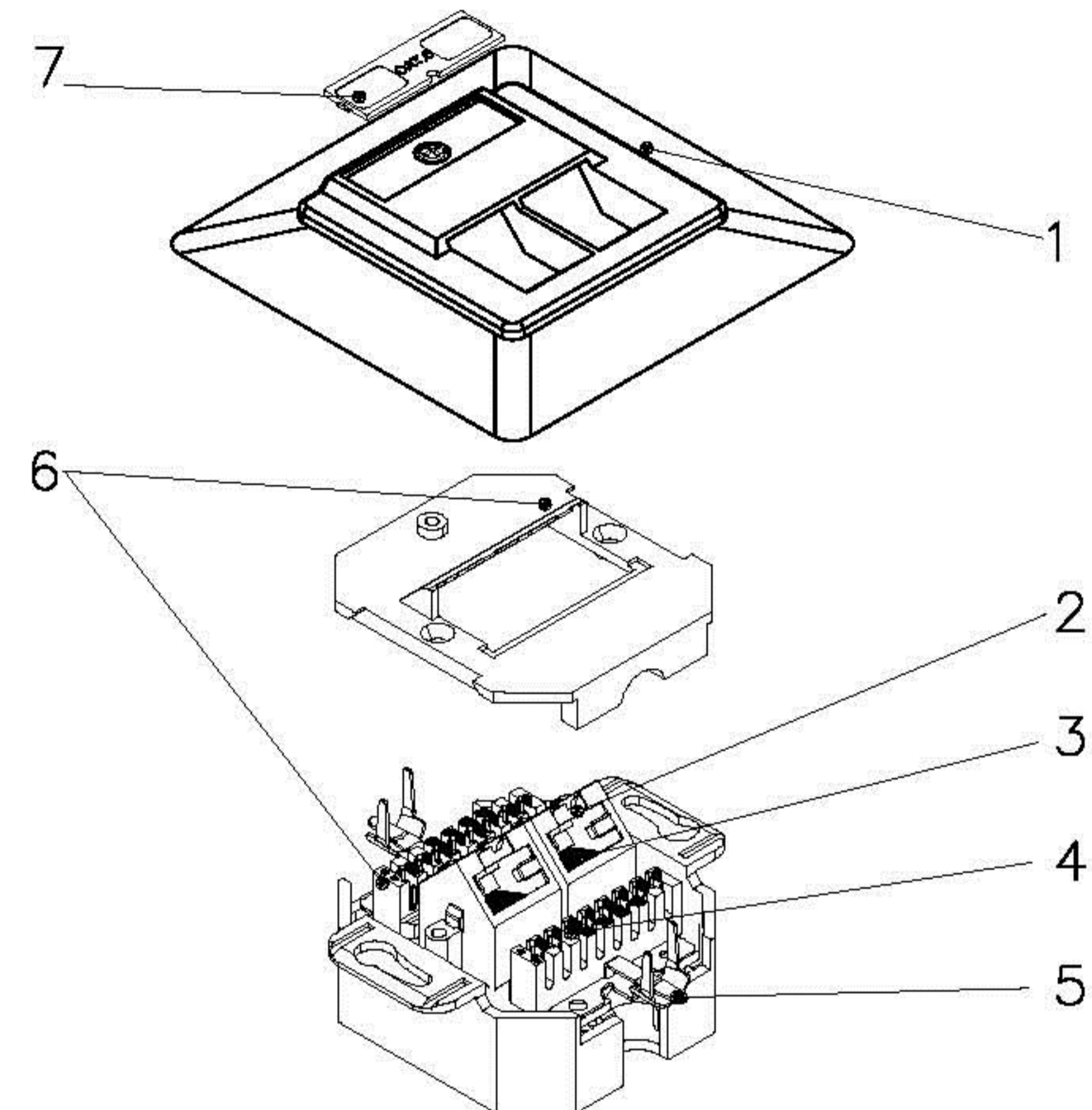
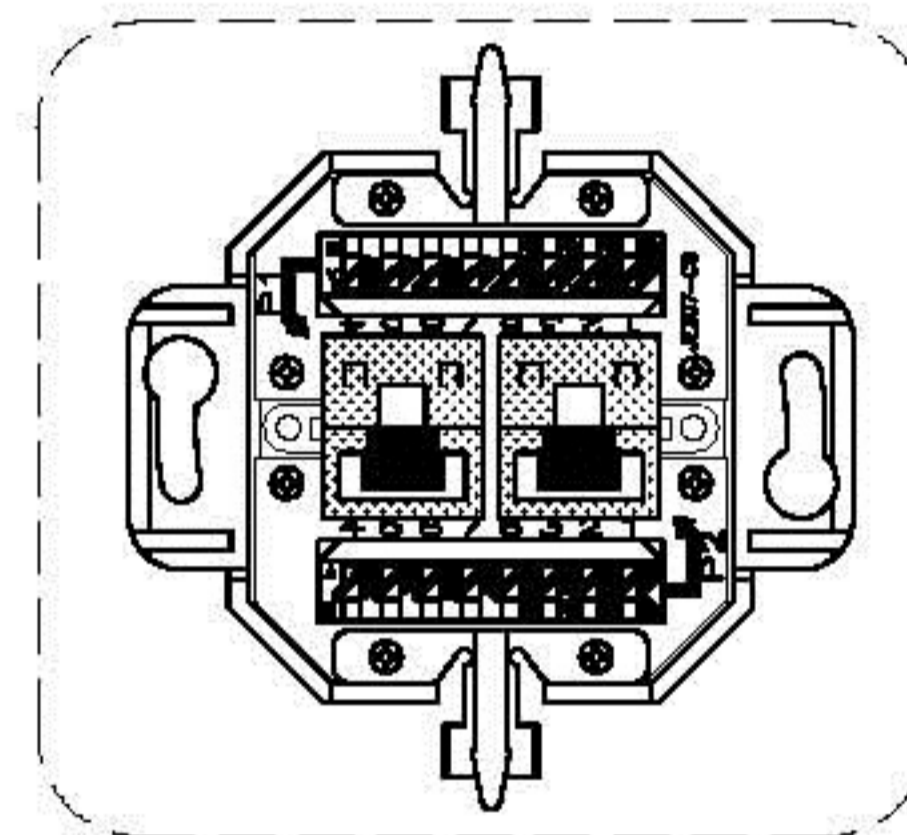
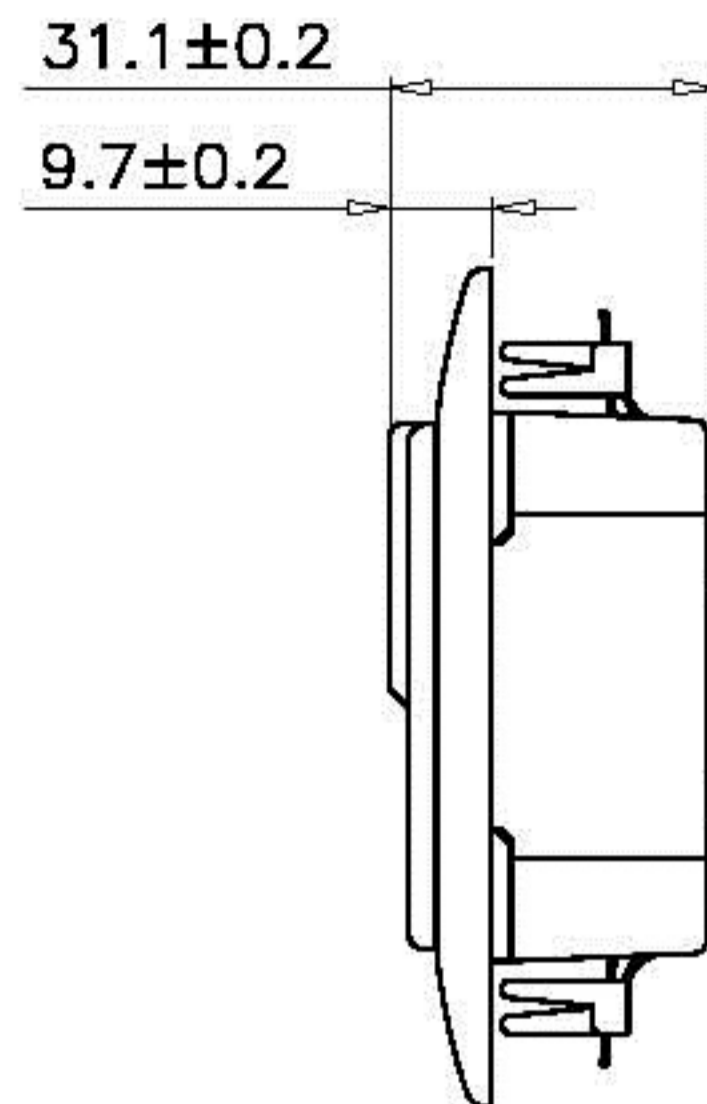
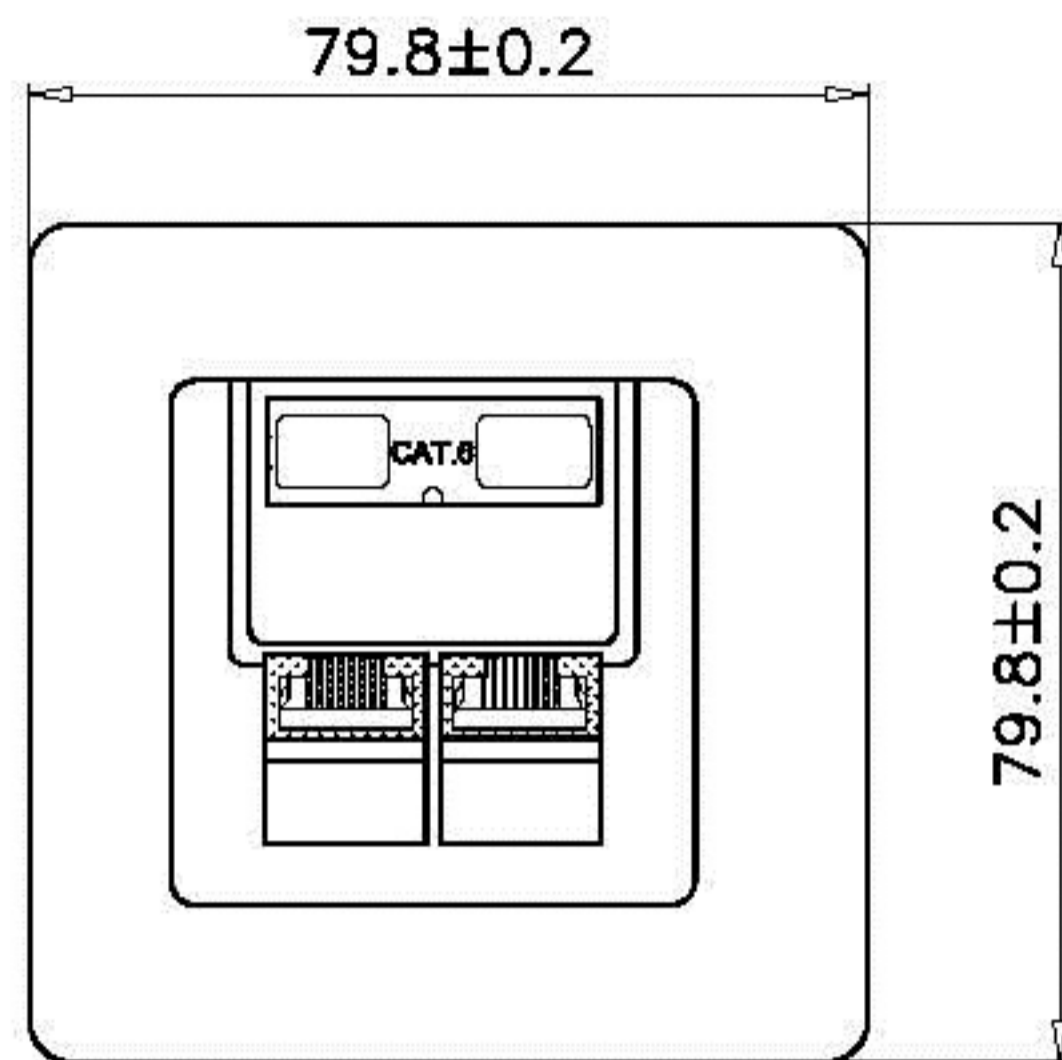
25.99.8492



VALUE Kat.6/Cl.E Dose, geschirmt, Unterputz, weiss

VALUE Embase double blindée catégorie 6 / classe E, blanc pur

VALUE Cat.6 Flush Mount Wall Jack, shielded, white



SCALE 1/2

Specification :

Material :

1. Plastic Plate : ABS, UL 94-HB, white color
2. RJ45 Jack :
 - 2-1. Housing : PBT+Glass Fiber, UL 94V-0.
 - 2-2. Contact Bracket : PBT+Glass Fiber, UL 94V-0.
 - 2-3. RJ45 Jack Shield : Bronze with Nickel plated.
3. RJ45 Jack Contact :
 - 3-1. Material : Phosphor Bronze with Nickel plated.
 - 3-2. Finish : 50 micro-inch Gold plated on Plug contact area.
4. IDC :
 - 4-1. Housing : PC+Glass Fiber, UL 94V-2.
 - 4-2. Terminal : Phosphor Bronze with Tin plated.
5. Cable Clamp : SPCC with Nickel plated.
6. Metal Cover : Zinc die-casting.
7. Identification :
 - 7-1. Frame : ABS, UL 94V-0.
8. PCB : FR4, UL 94V-0.

Performance :

- a. T568A & T568B wiring.
- b. Insertion force : 30N max. (IEC 60603-7-5)
- c. Retention strength : 7.7 kg between Jack and Plug.
- d. Operating temperature : -10°C to 60°C. (ISO/IEC 11801, ANSI/TIA/EIA 568 B.2)
- e. Life(mating cycles) :
 - * Jack : 750 cycles min. (ISO/IEC 11801, IEC 60603-7-5)
 - * IDC : Suitable for 22-26 AWG stranded and solid wire, compatible with Krone punch down tool.
- f. The Cat.6 transmission performance is in compliance with the ANSI/TIA/EIA 568 B.2-1 standard.

GENERAL TOLERANCE OF DIMENSIONS X.XXX ±0.005 X.XX ±0.05 X.X ±0.1	DRAWING	05.SEP.2012	Yan	Rotronic Co., Ltd.	
	CHECK	05.SEP.2012	Maer		
	APPROVAL	05.SEP.2012	Frank		
		DATE	NAME	ITEM NO.: 25.99.8492	
	SCALE	1/1 (A4)	UNIT	mm	DES.:
	DRAWING NO.				
	DRAWING CLASSIFICATION	S	SHEET	1 OF 1	